

LANSwitch8G

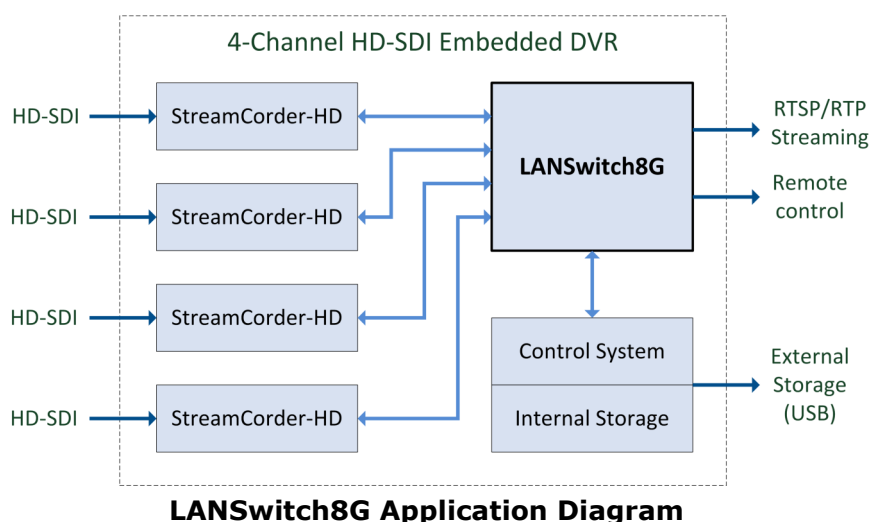
8-port Gigabit Ethernet Switch



**Advanced Micro
Peripherals**

THE EMBEDDED VIDEO EXPERTS

The LANSwitch8G is a standalone, 8-port 10/100/1000Mbps Ethernet switch for rugged embedded systems. The industry leading gigabit switch technology allows embedded systems to efficiently interconnect devices over proven Ethernet links.



LANSwitch8G Application Diagram

The LANSwitch8G features an industry leading, 8-port 10/100/1000 Mbps unmanaged-smart gigabit Ethernet switch on a standard PC/104 form-factor module. The LANSwitch8G allows IP subsystems such as IP cameras, network video recorders (NVR), network attached storage (NAS) to be combined to produce powerful embedded systems.

The LANSwitch8G is a stand-alone device and does not require a host CPU or any driver or OS software. For mechanical convenience the module can be mounted on a PCIe104 stack without consuming host CPU resources.

PRELIMINARY INFORMATION (Rev A.00)

Subject to change without notification

Advanced Micro Peripherals Ltd
Cambridge, CB6 2HY, England
Tel (+44) 1353 659500
Fax (+44) 1353 659600
sales@ampitd.com
<http://www.ampitd.com>

Advanced Micro Peripherals Inc
New York, NY10016, USA
Tel (+1) 212 951 7205
Fax (+1) 212 951 7206
sales@amp-usa.com
<http://www.amp-usa.com>



Eight

10/100/1000Mbit

Ethernet Ports

LANSwitch8G

8-port Gigabit Ethernet Switch



**Advanced Micro
Peripherals**

THE EMBEDDED VIDEO EXPERTS

Features

8x 10/100/1000 Mbit Ethernet Ports

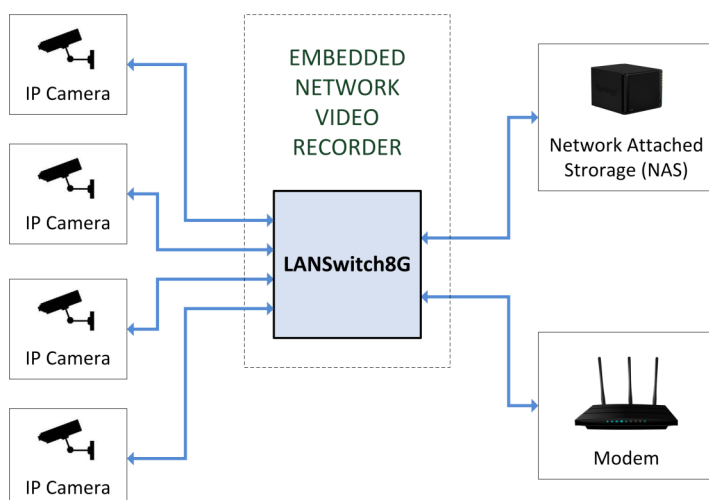
Fully Compliant with IEEE802.3 and 802.3x

IEEE802.az EEE (Energy Efficient Ethernet) support

Operating temp -40°C to $+85^{\circ}\text{C}$ (extended temp option)

Standard PCIe104 mechanical form factor

Single +5V operation



LANSwitch8G Application Diagram

Applications

Multiple IP camera surveillance

Network video recorders

Transportation

Heterogeneous intra-platform network

Intelligent sensors

Distributed systems

Ideal for
IP Camera
Aggregation,
Network Video
Recorders

Advanced Micro Peripherals Ltd
Cambridge, CB6 2HY, England
Tel (+44) 1353 659500
Fax (+44) 1353 659600
sales@amp ltd.com
<http://www.amp ltd.com>

Advanced Micro Peripherals Inc
New York, NY10016, USA
Tel (+1) 212 951 7205
Fax (+1) 212 951 7206
sales@amp-usa.com
<http://www.amp-usa.com>



Ethernet Switch

Unmanaged Gigabit Ethernet Switch
8x 10/100/1000 Mbps Ethernet ports
Fully compliant with IEEE802.3 and IEEE802.3x
IEEE802.3az EEE (Energy Efficient Ethernet) support
IEEE802.3as support
Jumbo Frame Support (up to 9720 bytes)

PCIe104 / PCI104

PCIe104 (PCI Express) connector passthru
PCI104 (PCI) connector passthru

Mechanical

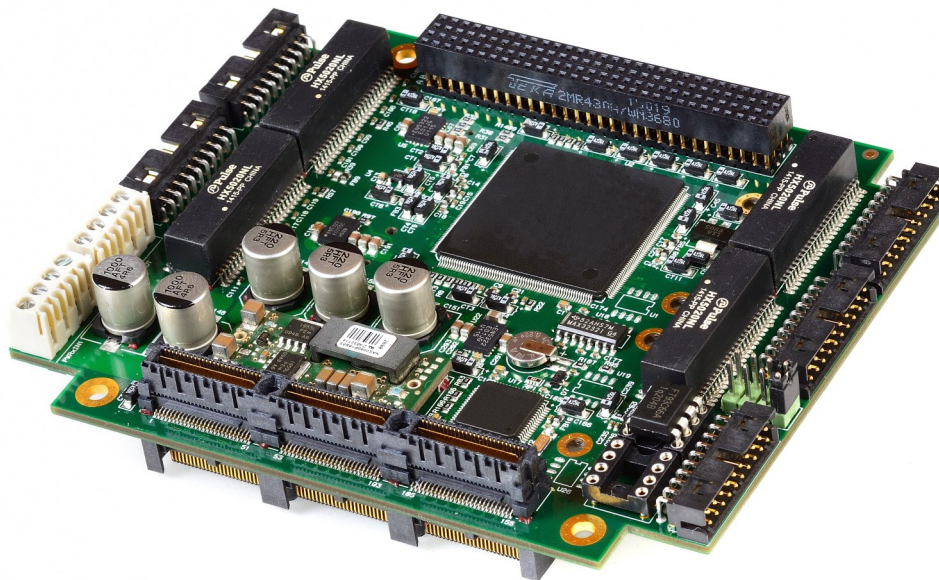
Stand-alone module, does not require host computer
Standard 4.55 x 3.775in PC/104 form factor
Mechanical mounting for PCIe104 stack
Single +5V supply
Operating temp 0°C to 60°C
Operating temp -40°C to +85°C (extended temp option)

Ordering Information

LANSwitch8G
8-port Gigabit Ethernet Switch (0 to 60°C)
LANSwitch8G-EXT
8-port Gigabit Ethernet Switch (-40°C to +85°C)

Related Products

StreamCorder-SD4
Stand-alone 4xD1 H.264 Video Streamer
StreamCorder-HD
Stand-alone HD-SDI H.264 Video Streamer
StreamCorder-HD-HDMI
Stand-alone HDMI H.264 Video Streamer



LANSwitch8G

